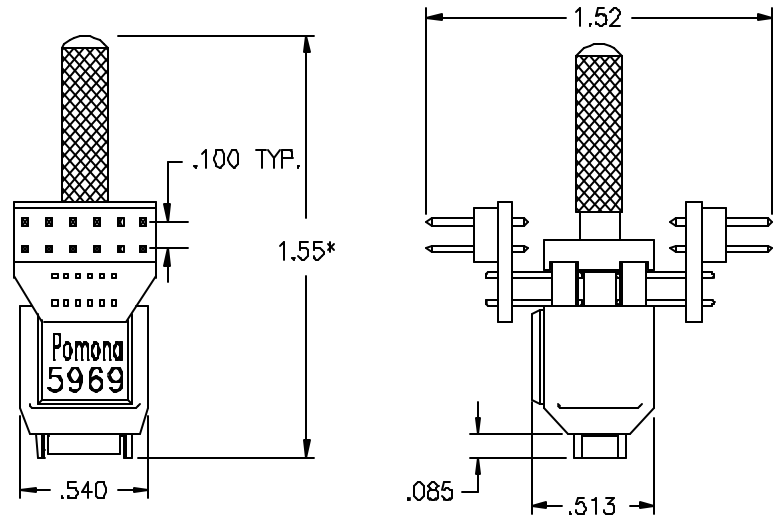


These new test clips provide the user with an easy means to connect instrumentation to the fine pitch plastic SSOP chip leads.

- Interfaces with high density SSOP surface mount chip leads.
- Holding feature insures positive retention on the chip in either vertical or horizontal position.
- Pin number 1 indicator on the side of the clip.
- Gold plated connector pins and contacts assure noise free connections.

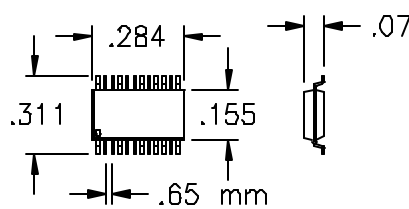


\*HANDLE IS NOT REMOVABLE

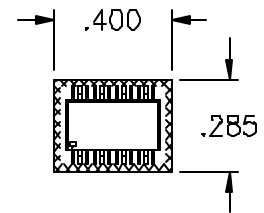
Pomona's SSOP test clips are perfect for field service testing, system design or failure analysis.

The holding mechanism grips the chip body at both ends. Each contact is individually cantilevered to assure positive contact.

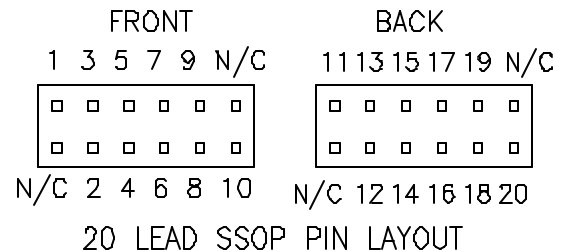
Other clips are available in many sizes to fit the most popular SSOP chips now in use.



20 PIN SSOP CHIP

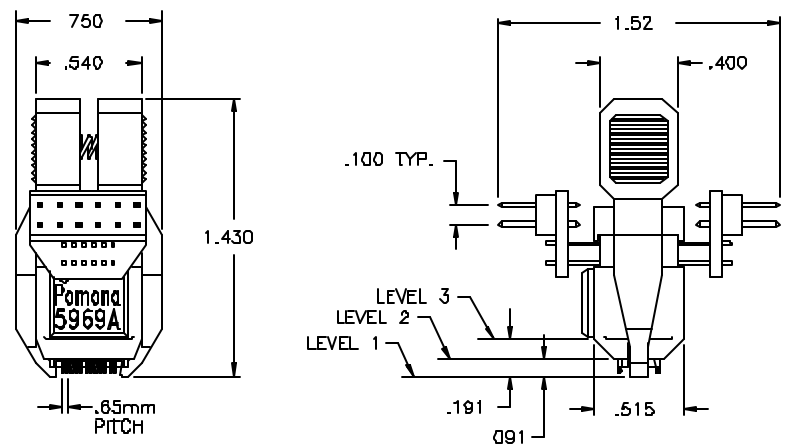


REQUIRED BOARD SPACE



All dimensions are in inches. Tolerances (except noted): .xx = ±.02" (.51 mm), .xxx = ±.005" (.127 mm). All specifications are to the latest revisions. Specifications are subject to change without notice. Registered trademarks are the property of their respective companies. Made in USA

The 5969A version offers greater security with spring loaded locking fingers, for use on boards in either vertical or horizontal position.



All dimensions are in inches. Tolerances (except noted): .xx =  $\pm .02$ " (.51 mm), .xxx =  $\pm .005$ " (.127 mm).  
All specifications are to the latest revisions. Specifications are subject to change without notice.  
Registered trademarks are the property of their respective companies. Made in USA